

JOB-MAN 3160



Lifting height:	3264 mm
Weight:	2950 kg
Breakout force:	4410daN
Standard tire size:	12-16,5



Standard equipment:

- Differential lock.
- Hydraulic quick-change attachment
- 4 powerful hydraulic outlets – 6-way valve
- 2 lifting cylinders
- LED work lights, 4 lights
- Rotating beacon – with reverse warning sound
- Adjustable steering wheel
- Multifunctional joystick
- Comfortable adjustable seat and armrest

Technical Specifications:

Engine

Engine	Perkins 404J-22
Max. power	60 PS
Max. speed	2600 U/min

General

Capacity, shovel	0,49 m³
Diesel tank	65 l
Oil quantity, hydraulic	50 l/min

Optional:

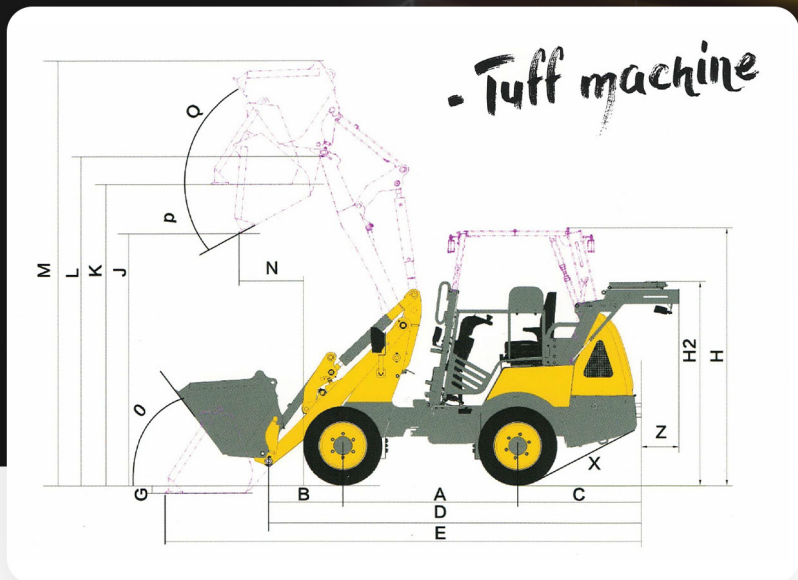
- Wide wheels - tractor pattern TR 315 31x15.5-15
- Wide wheels - tractor pattern flat TR 07 31x15.5x15
- Wide wheels – Wide tractor tread flat AS 31x15.5x15
- Counterweight – 94 kg



Performance

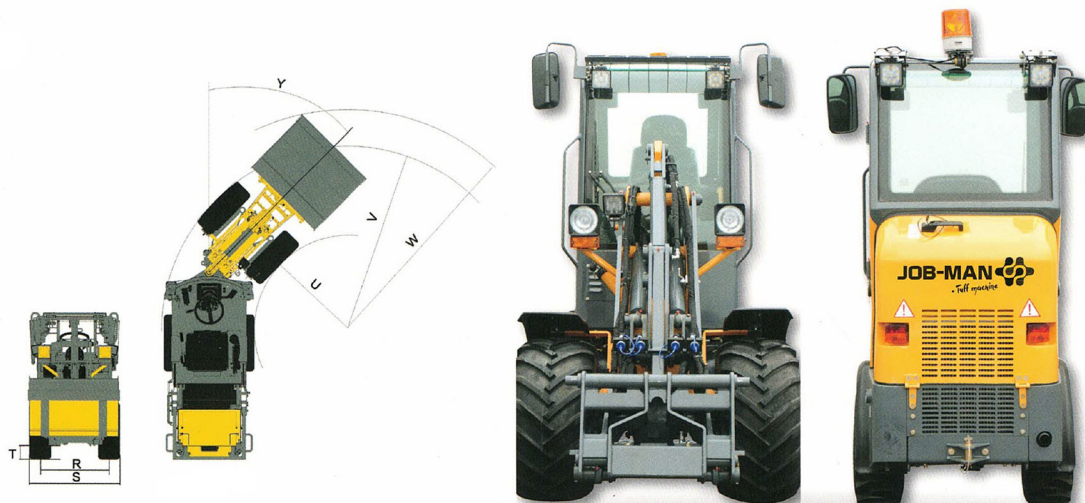
Max. lifting capacity	3185 kg
Pull force	22000N
Breakout force	4410daN
Operating weight	3200 kg
Lift speed (empty)	4,6
Lift and lowering speed (empty)	8,1
Tipping load in bucket, horizontal	1690 kg
Tipping load, pallet fork, horizontal	2090 kg
Tipping load in bucket, swiveled	1420 kg
Tipping load, pallet fork, swiveled	1420 kg

JOB-MAN 3160



Dimensions:

A	Wheelbase	1733 mm	N	Dumping range	441 mm
B	Front axle for tool bolts	730 mm	O	Rear adjustment angle on ground	57°
C	Rear axle	1196 mm	P	Max. unloading angle	30°
D	Length without tools	3779 mm	Q	Rear adjustment angle (v/max. height)	57°
E	Length with bucket	4631 mm	R	Track width	1000 mm
F	Height to seat	1360 mm	S	Width/turned wheel	1335 mm
G	Bucket depth below ground clearance	37 mm	T	Ground clearance	252 mm
H	Height to cab roof	2291 mm	U	Inside turning radius	965 mm
H2	Height with roof folded	-	V	Outside turning radius	2344 mm
J	Unloading height	2548 mm	W	Outside turning radius with bucket	2679 mm
K	Loading height	3059 mm	X	Articulated joint angle	53°
L	Maximum height to bucket pivot point	3264 mm	Y	Rear angle	28,3°
M	Total working height	4036 mm			



JOB-MAN 
www.job-man.dk

JOB-MAN is a mini loader developed and designed in Denmark. The machines are manufactured according to European standards with Bosch Rexroth hydraulic components and Perkins/Yanmar engines. JOB-MAN compact loaders have been sold since 2006, with more than 1,800 machines in Europe.