



Rated capacity K5:	<b>Li/Ion 22,4 kW / 280 Ah / 80V</b>
Battery weight:	<b>180 kg</b>
Operating weight <small>(standard with bucket):</small>	<b>2475 kg</b>
Travel speed:	<b>18 km/h</b>



## Standard equipment:

- Electric drive system, direction of travel can be selected via joystick
- Energy recovery, automatic battery charging, e.g. during braking
- 100% differential lock
- Safety bar/roof ROPS/FOPS certified
- CE approved
- Front and rear work lights
- Adjustable steering wheel
- Comfortable adjustable seat and armrest

## Technical Specifications:

### Engine

Engine	<b>Li/Ion 22,4 kW</b>
Hydraulic oil tank capacity	<b>30 l</b>
Hydraulic operating performance	<b>40 l/min</b>

### General

Tires	<b>27x10.5-15 NHS</b>
Battery weight	<b>180 kg</b>
Running engine, classification S2 (60 minutes)	<b>15 kW</b>

## Optional:

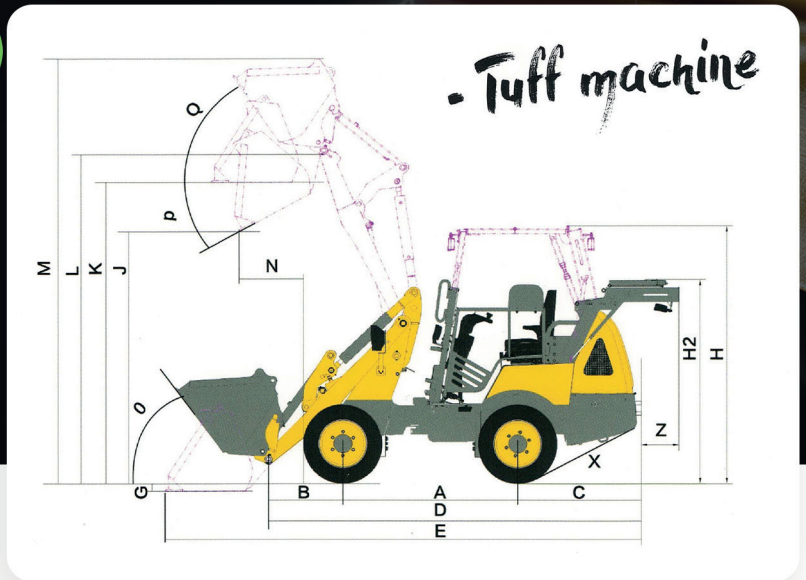
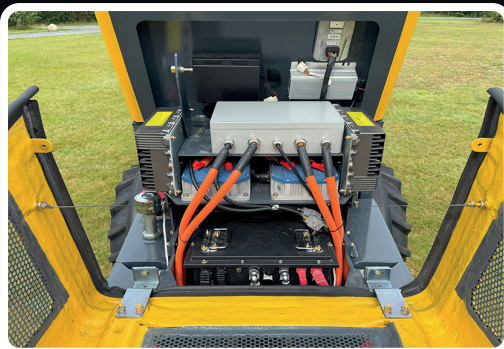
- Wide wheels - tractor pattern TR 315 31x15.5-15
- Wide wheels - tractor pattern flat TR 07 31x15.5x15
- Wide wheels - Wide tractor pattern flat AS
- Battery weight- 180 kg



## Performance

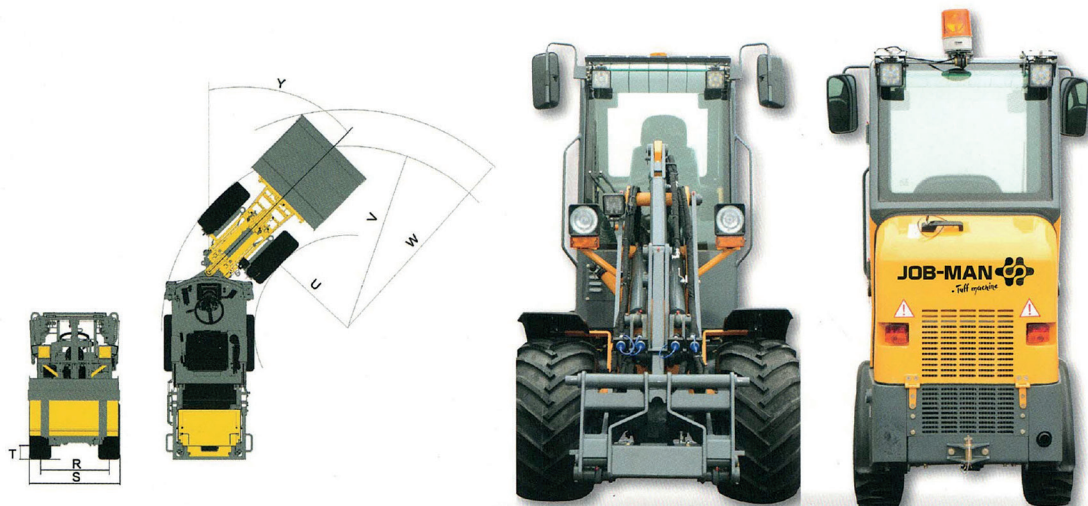
Lift frame horizontal / machine straight	<b>2600 kg</b>
Lift frame down / machine straight	<b>2700 kg</b>
Hydraulic oil tank capacity	<b>30 l</b>
Operating time in continuous operation with heavy material handling, <small>continuous operation</small>	<b>2,4 Hours</b>
Operating time in agricultural activities, <small>continuous operation</small>	<b>3,2-5,6 Hours</b>
Operating time in normal agricultural activities with interruptions (30 min. driving, 30 min. idle)	<b>Up to 6,4 Hours</b>

# JOB-MAN 2325 E LF



## Dimensions:

A	Wheelbase	<b>1699 mm</b>	N	Dumping range	<b>210 mm</b>
B	Front axle for tool bolts	<b>528 mm</b>	O	Rear adjustment angle on ground	<b>45°</b>
C	Rear axle	<b>1069 mm</b>	P	Max. unloading angle	<b>45°</b>
D	Length without tools	<b>3296 mm</b>	Q	Rear adjustment angle (v/max. height)	<b>45°</b>
E	Length with bucket	<b>4096 mm</b>	R	Track width	<b>820 mm</b>
F	Height to seat	<b>1240 mm</b>	S	Width/turned wheel	<b>1080 / 1340 mm</b>
G	Bucket depth below ground clearance	<b>47 mm</b>	T	Ground clearance	<b>202 mm</b>
H	Height to cab roof	<b>2230 mm</b>	U	Inside turning radius	<b>1106 mm</b>
H2	Height with roof folded	<b>1755 mm</b>	V	Outside turning radius	<b>2206 mm</b>
J	Unloading height	<b>1576 mm</b>	W	Outside turning radius with bucket	<b>2625 mm</b>
K	Loading height	<b>2244 mm</b>	X	Articulated joint angle	<b>45°</b>
L	Maximum height to bucket pivot point	<b>2453 mm</b>	Y	Rear angle	<b>45°</b>
M	Total working height	<b>3260 mm</b>			



**JOB-MAN**   
[www.job-man.dk](http://www.job-man.dk)

JOB-MAN is a mini loader developed and designed in Denmark. The machines are manufactured according to European standards with Bosch Rexroth hydraulic components and Perkins/Yanmar engines. JOB-MAN compact loaders have been sold since 2006, with more than 1,800 machines in Europe.